



PLEASE READ INSTRUCTIONS COMPLETELY BEFORE ASSEMBLY

For assistance or missing parts in the USA please: E-MAIL:
OIA_SERVICE@OIANH.COM

or write to: Customer Service Department, Missing Parts
24 RIVER ROAD, SUITE #201, BOGOTA, NJ 07603, U.S.A.

Please call between 10am to 12pm or 2pm to 4pm

Monday thru Friday Eastern Standard time at (201) 488-0808

All international (outside USA) customers requesting missing parts, defect or damages must contact the retailer directly to make an exchange or return for credit.

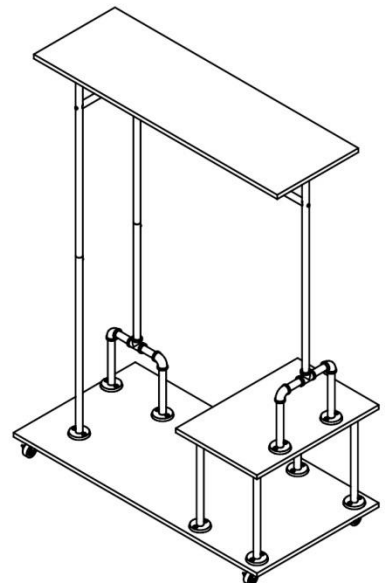
All other customer service product and/or questions may be directed to us.

Style : 84774

#	①	②	③	④	⑤
PARTS					
QTY	2	1	1	1	4
#	⑥	⑦	⑧	⑨	⑩
PARTS					
QTY	1	1	1	1	1

#	Ⓐ	Ⓑ	Ⓒ
PARTS			
QTY	2	3	4
#	Ⓓ	Ⓔ	Ⓕ
PARTS			
QTY	2	52	1

Weight Capacity: 230 lbs.



Please Note Parts Request:

We will accept missing parts requests with proof of purchase only, and within 30 days of purchase.

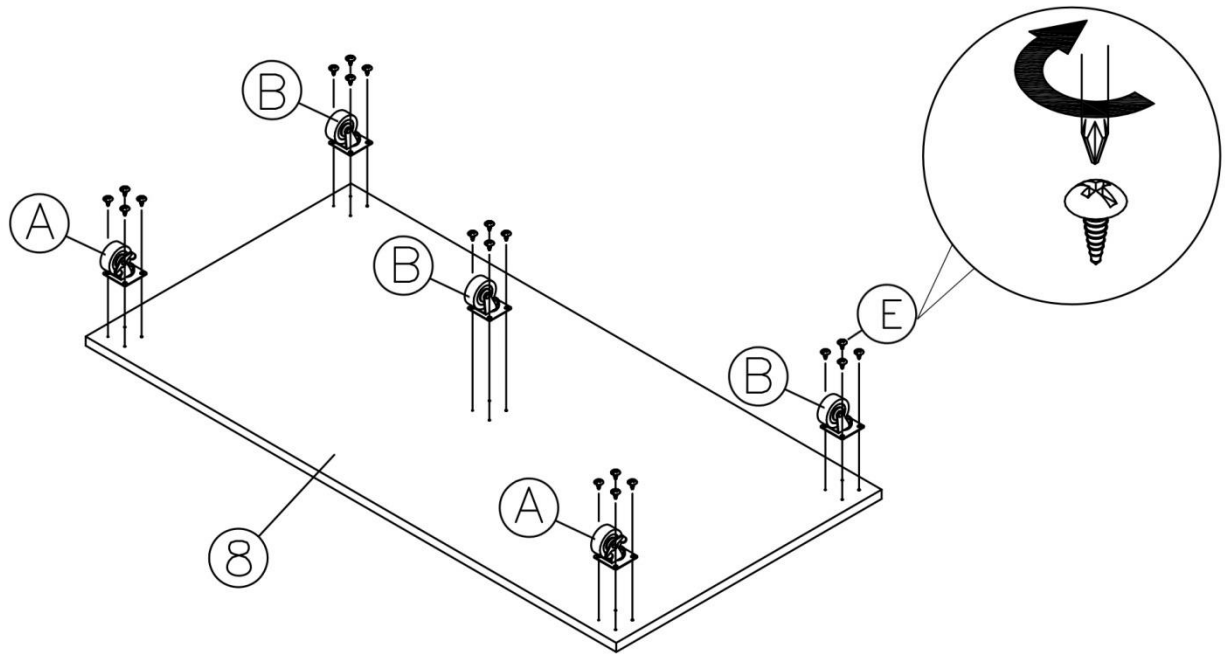
Return merchandise:

All return merchandise must be returned directly to the store not manufacturer with proof of purchase.

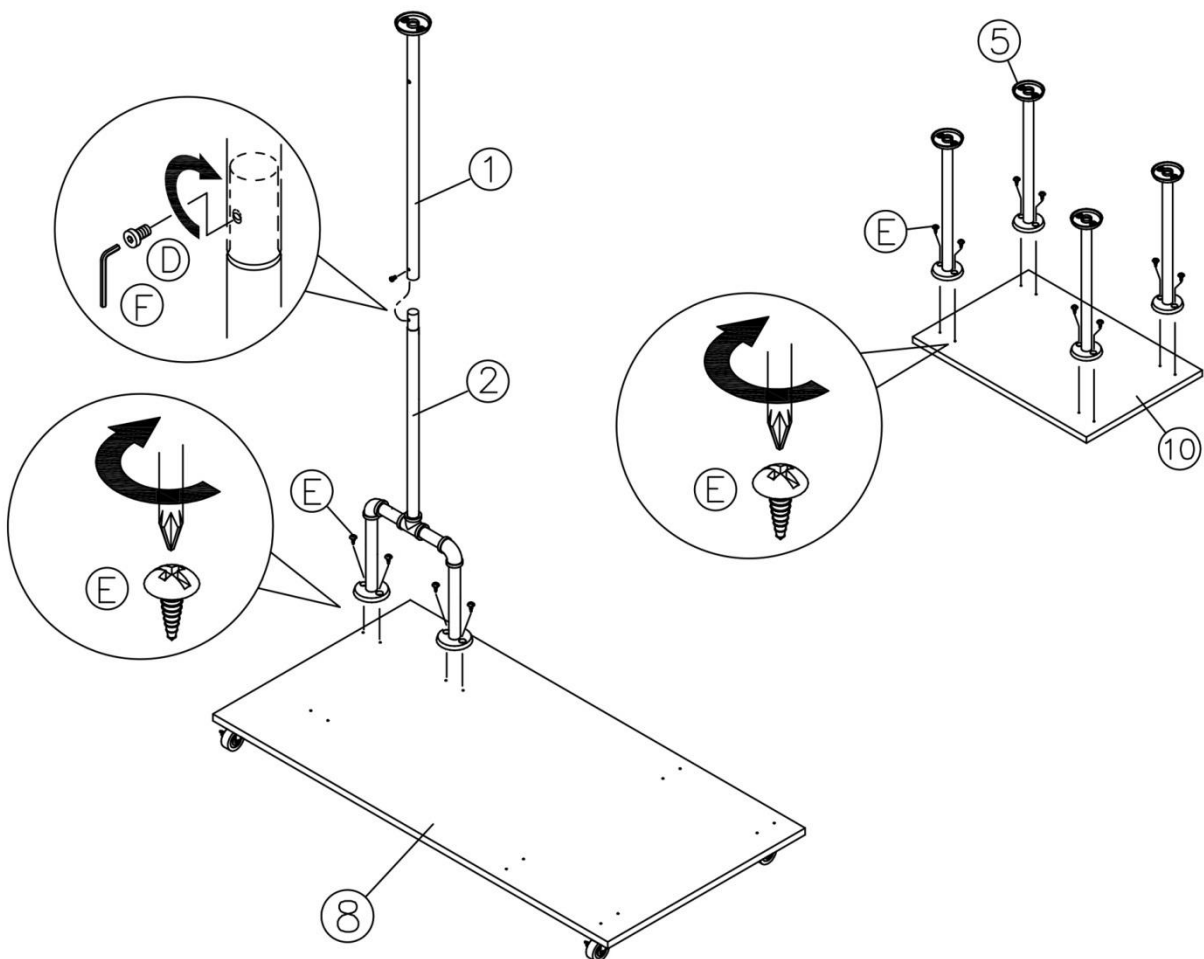
ORGANIZE IT ALL, INC.

The NEU HOME logo is a registered United States trademark of ORGANIZE IT ALL, INC.

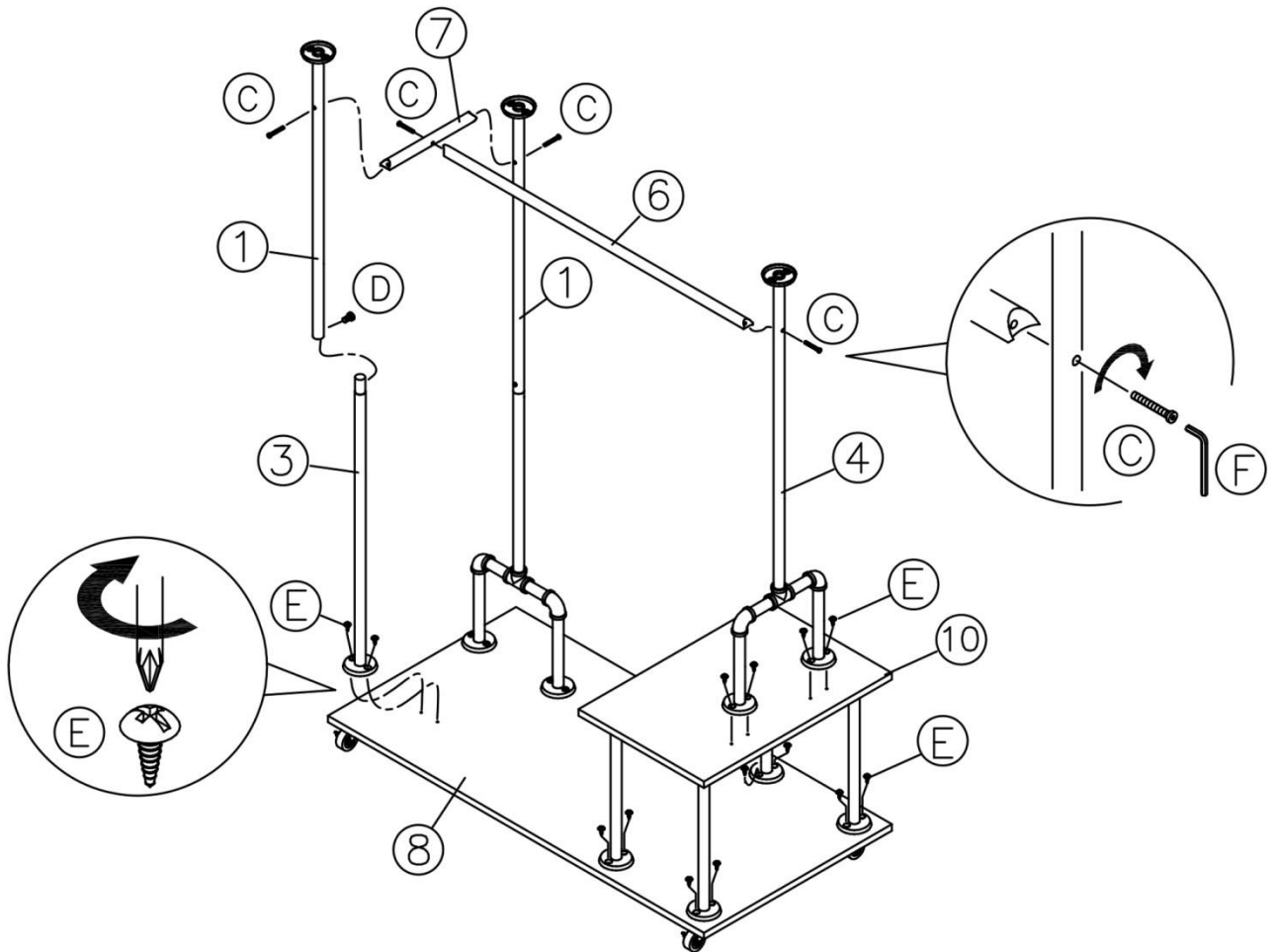
Step 1 Screw part A (2 pcs) and part B (3 pcs) onto part#8



Step 2 Screw part# 5 (4 pcs) onto part# 10 Screw part# 2 onto part# 8 Insert part# 1 into part# 2 and screw it with part D



Step 3



Screw part#3 onto part# 8

Insert part# 1 into part# 3 and screw it with part D

Screw part# 7 between part# 1 and part# 1 with part C

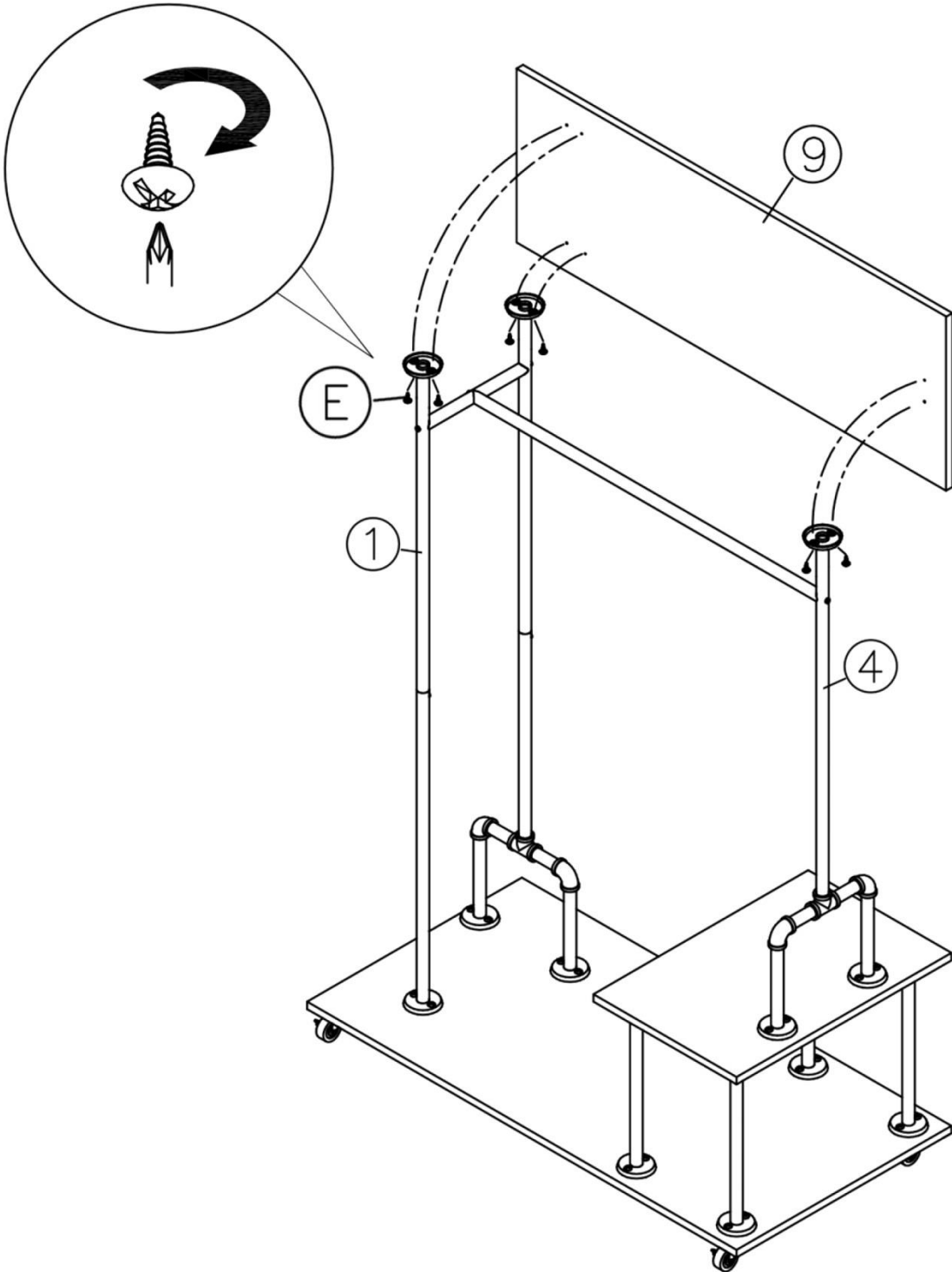
Screw the part#10 which is finished on Step 2 onto part# 8

Screw part#4 onto part# 10

Screw part# 6 between part# 4 and part# 7 with part C

Step 4

Screw part# 9 onto part#1 and part# 4



Your assembly is complete.