



PLEASE READ INSTRUCTIONS COMPLETELY BEFORE ASSEMBLY

For assistance or missing parts in the USA please: E-MAIL:

OIA_SERVICE@OIANH.COM

or write to: Customer Service Department, Missing Parts

24 RIVER ROAD, SUITE #201, BOGOTA, NJ 07603, U.S.A.

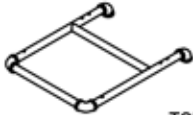




Please call between 10am to 12pm or 2pm to 4pm





Monday thru Friday Eastern Standard time at (201) 488-0808

All international (outside USA) customers requesting missing parts, defect or damages must contact the retailer directly to make an exchange or return for credit.

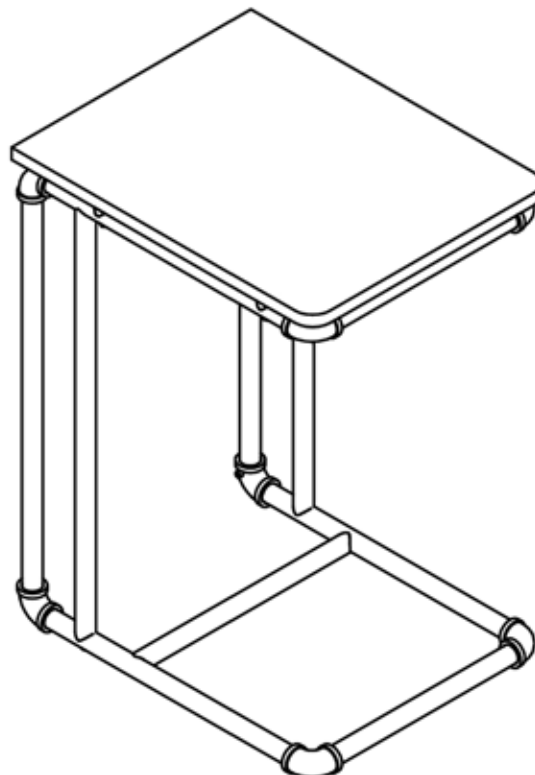
All other customer service product and/or questions may be directed to us.

Style : 84778

#	①	②	③	④	⑤
PARTS	 TOP	 BOTTOM			
QTY	1	1	2	2	1

#	A	B	C	D
PARTS				
QTY	8	4	4	1

Weight Capacity: 100 lbs.



Please Note Parts Request:

We will accept missing parts requests with proof of purchase only, and within 30 days of purchase.

Return merchandise:

All return merchandise must be returned directly to the store not manufacturer with proof of purchase.

ORGANIZE IT ALL, INC.

The NEU HOME logo is a registered United States trademark of ORGANIZE IT ALL, INC.

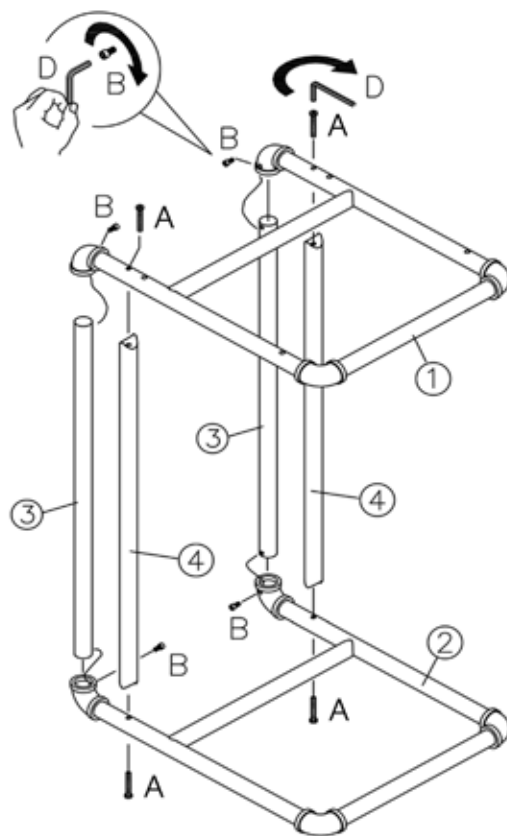
Step 1

Attach Part# 3 & 4 to Part# 2.

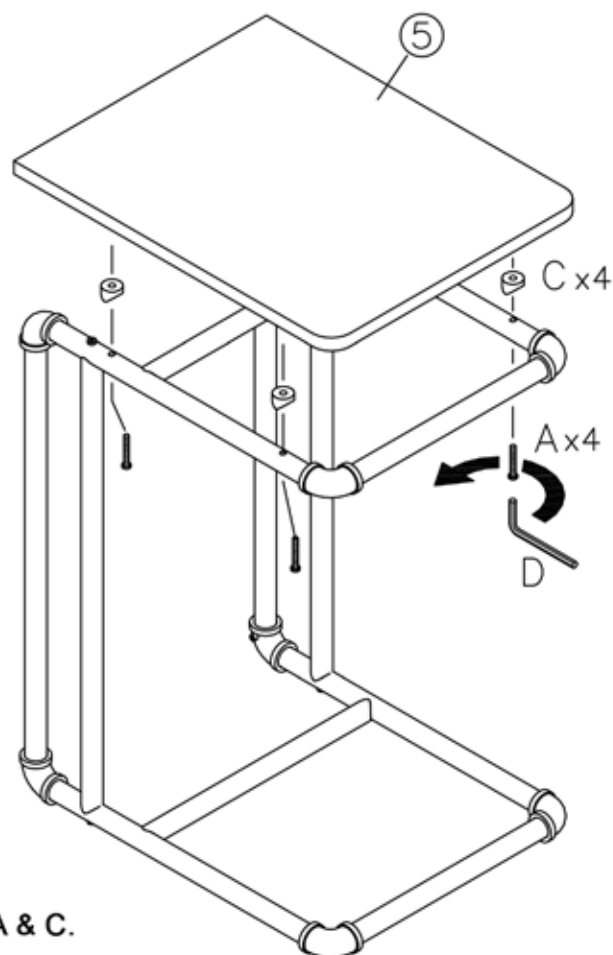
Note:

Part# 2 (bottom part) has only two screw holes.
Use Part A (long screw) for Part# 4
and Part B (screw) for the others.

Attach Part# 1 to Part# 3 & 4.



Step 2



Place Part# 5 on top of the completed structure from Step 1 and screw it with Parts A & C.