

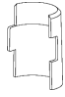
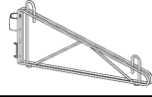
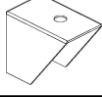
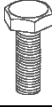
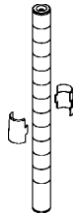


# Wall Mount Post and Adjustable Brackets

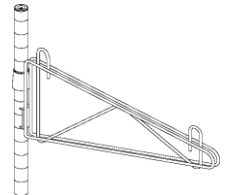
## Assembly Instructions and Parts Manual

A	B	C	D	E	F
					
Support Posts - Inserts on both sides	Shelf	Plastic Split Sleeves	Wall-Mount Bracket	Metal Wall Bracket	Long Bolts
2 pcs	1 pcs	4 pcs	2 pcs	4 pcs	4 pcs

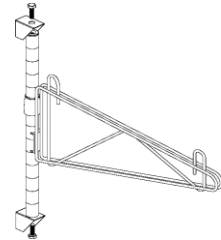
**1.** Select desired height, mark location of the bottom shelf on each post, and snap tapered Plastic Sleeves (C) (With tapered side facing up), to marked grooves on each support post.



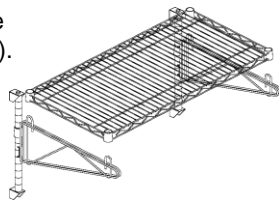
**2.** Place Wall Mount Bracket (D) at top of each Support Post (A) and guide down to tapered Plastic Sleeve (C). Each Shelf Mount Bracket will level others when snug over Plastic Split Sleeves (C)



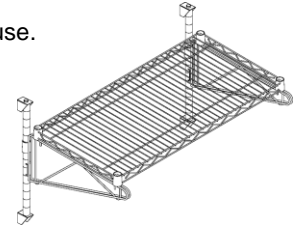
**3.** Measure the wall where the shelving is to be installed. (See chart below)  
\*\*Using the proper hardware for the type of wall you are mounting to, secure the top bracket (E) as shown. Secure both ends of support post (A) and then secure bottom bracket (E). Repeat process with each support and bracket assembly.



**4.** Place Shelf (B) on the Shelf Mount Brackets (E).

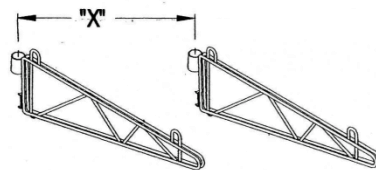


**5.** It is now ready for use.



### Wall Measurements

SHELF WIDTH	"X" SPACING
24"	22 1/2"
30"	28 1/2"
36"	34 1/2"
42"	40 1/2"
48"	46 1/2"
60"	58 1/2"
72"	70 1/2"



\*\*Wall Anchors Not Included

If you have questions please call (800) 637-9508