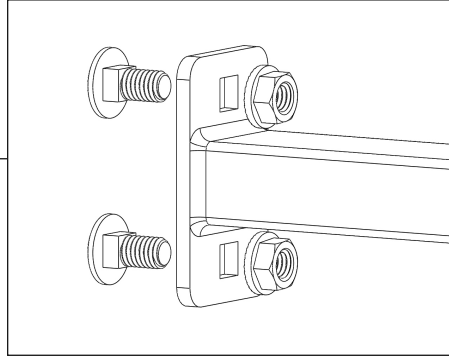


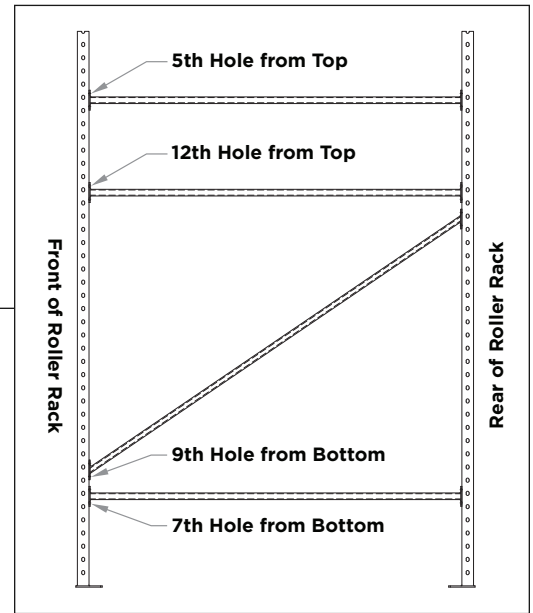
For detailed video installation instructions, please go to: www.unex.com/resources/video-library

Roller Rack consists of posts, bolt in side braces, and drop in beams.
It can be assembled with a single 9/16" wrench.

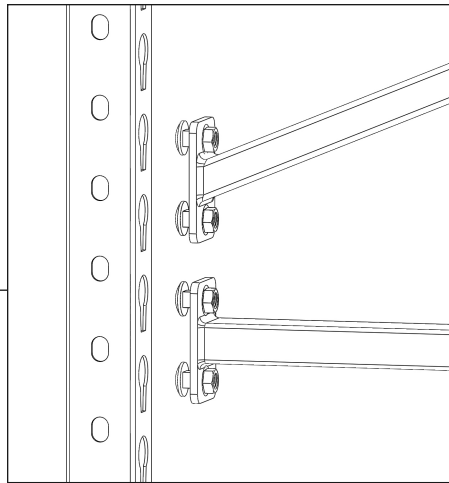
- 1** Loosely secure carriage bolts to side braces with the heads facing out.



- 2** Brace positioning



- 3** Side supports drop into teardrop shaped holes and are tightened with a 9/16" wrench.



- 4** Beams drop into place. Set elevations per included drawing. Install Span-Track per the separate installation sheet.

